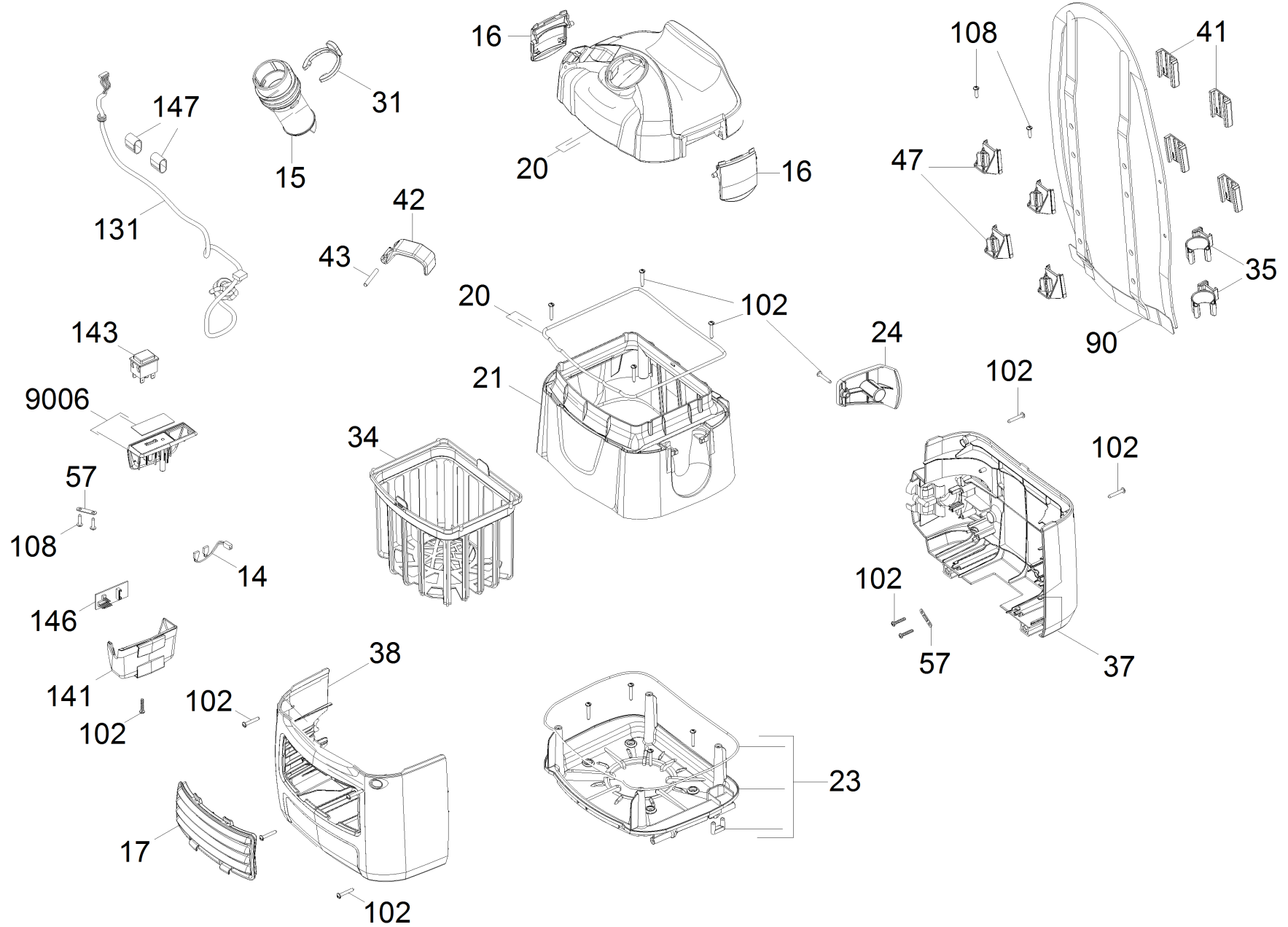


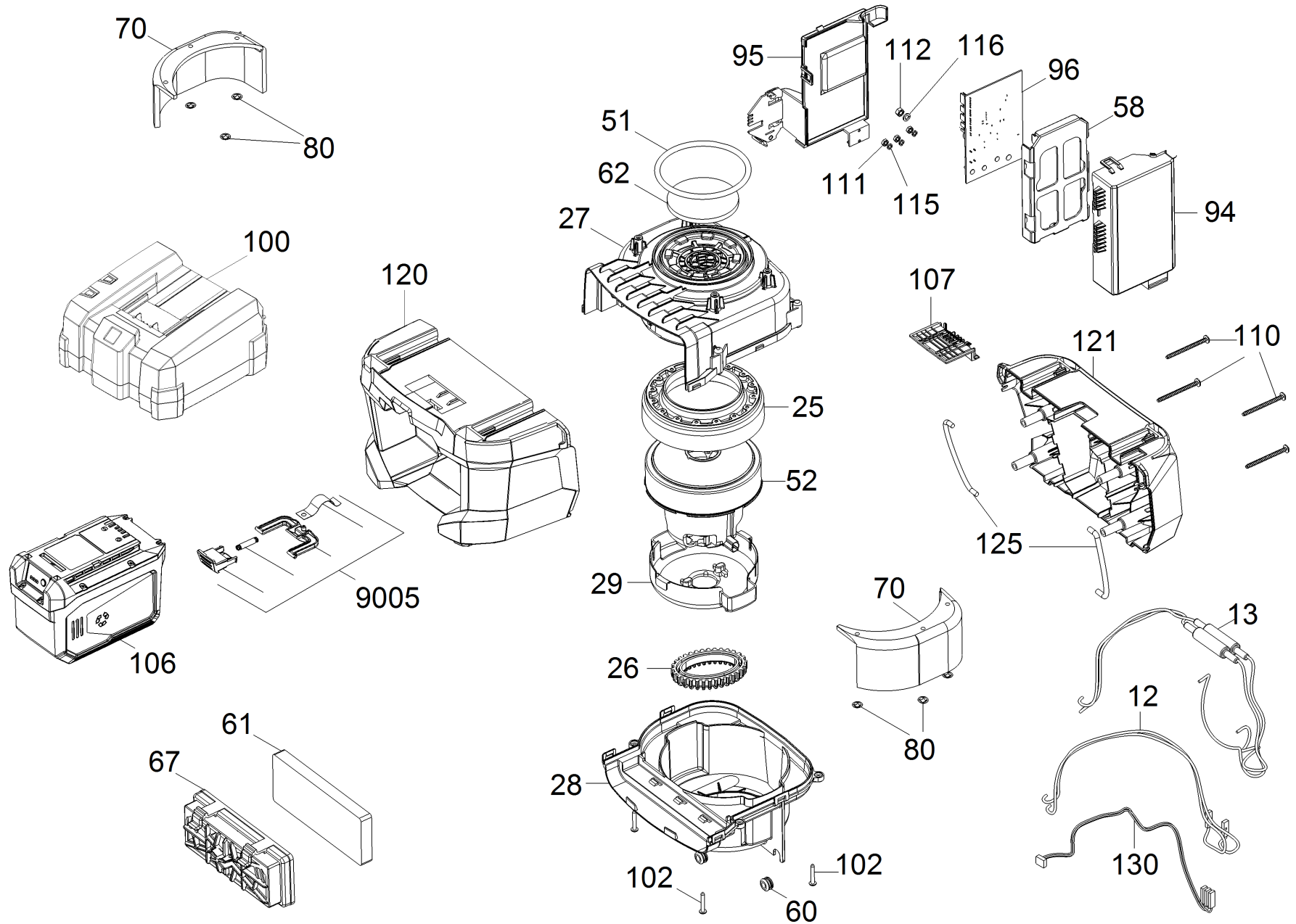
Spare parts list

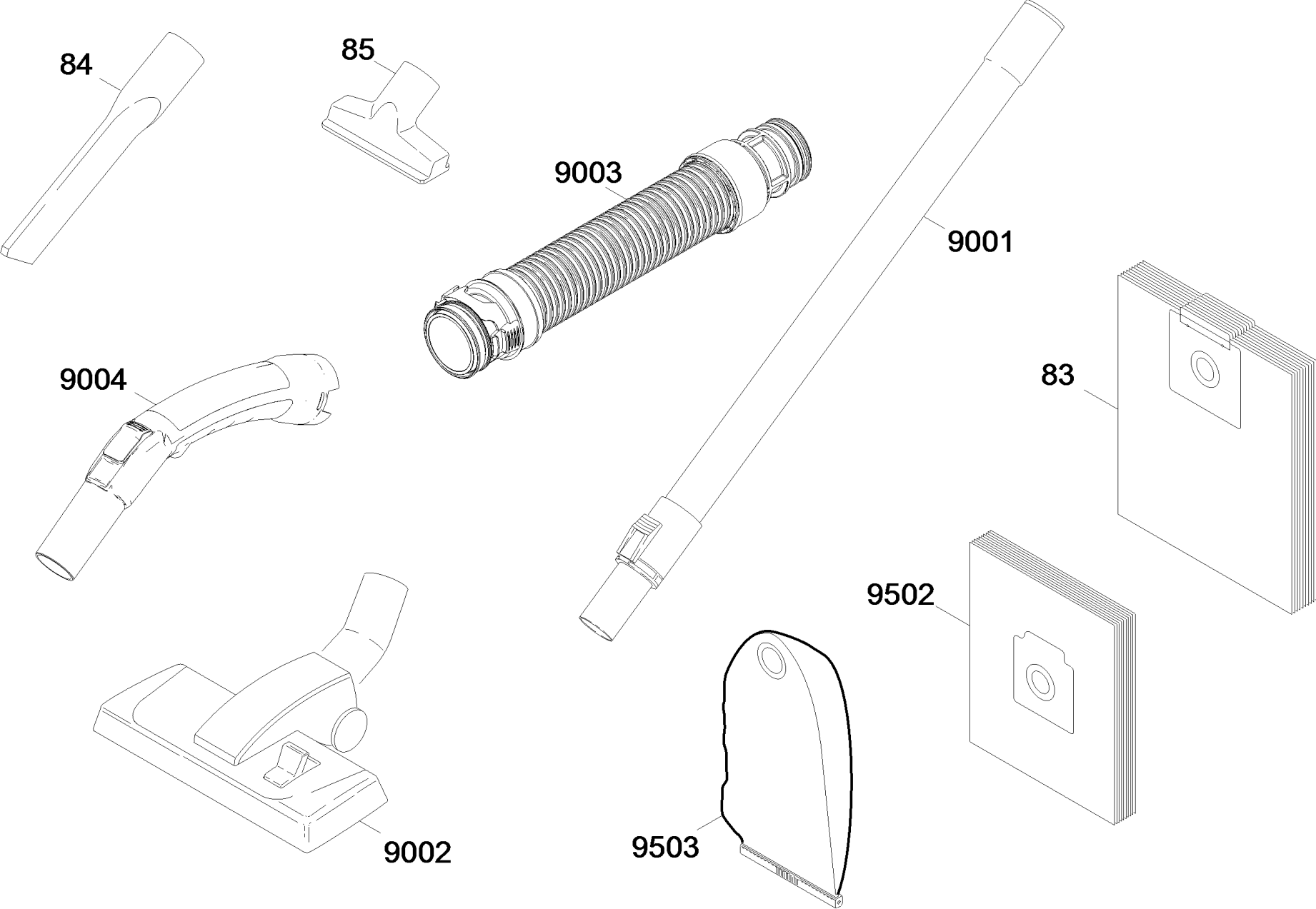
(5.974-280.0) Spare parts list BV 5/1 Bp

Table of contents

5 Spare parts list BV 5/1 Bp (5.974-280.0)	3
20 Cover complete (4.069-049.0)	9
23 Set box bottom (4.071-019.0)	11
9003 Hose packaged NW35 1,5m (2.889-132.0)	13
9005 Set locking part accumulator (4.324-062.0)	15







5 Spare parts list BV 5/1 Bp (5.974-280.0)

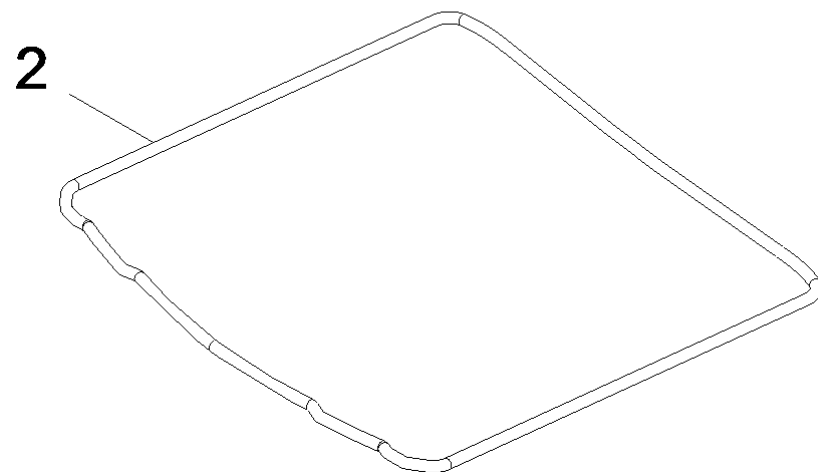
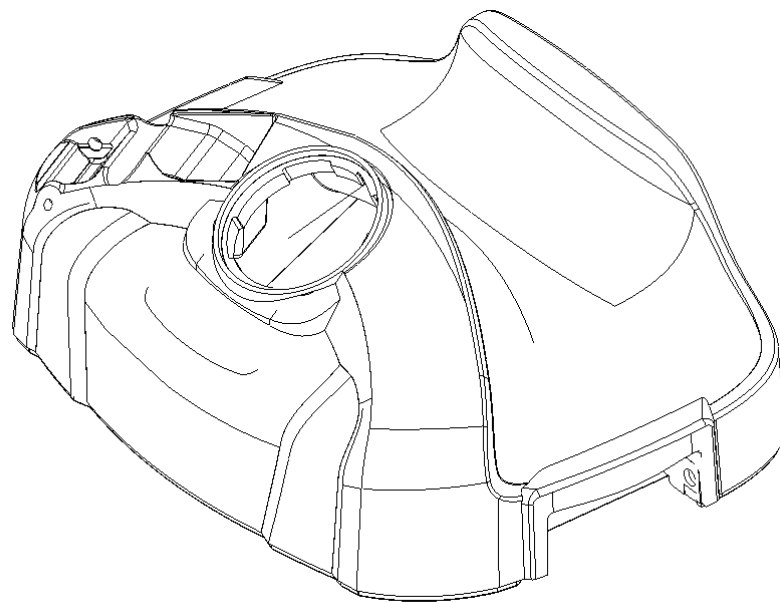
POS	Article no.	Description	Quantity	Unit
106	4.654-016.0	Accumulator package BP 750/36	1.000	ST
100	6.654-354.0	BC 1/7 *EU	1.000	ST
25	5.363-618.0	Bearing motor bottom T12/1	1.000	ST
43	5.317-231.0	Bolt hook	1.000	ST
130	6.650-611.0	Cable battery control system	1.000	ST
12	6.650-614.0	Cable battery electronics	1.000	ST
60	6.647-365.0	Cable gland	2.000	ST
131	6.650-610.0	Cable operating element	1.000	ST
14	6.650-613.0	Cable pushbutton	1.000	ST
147	6.650-604.3	Cable tape velcro fastener packaged	1.000	ST
13	6.650-612.3	Cable turbine	1.000	ST
57	6.903-241.0	Clamp clip	2.000	ST
35	5.033-940.0	Clip yellow	2.000	ST
107	6.631-011.0	Contact element accumulator	1.000	ST
146	4.683-079.3	Control system	1.000	ST
96	4.683-094.3	Control system BV5/1Bp 36V	1.000	ST
20	4.069-049.0	Cover complete	1.000	ST
41	5.033-330.0	Covering cap	4.000	ST
95	5.034-104.0	Covering cap electronics BV 5/1 Bp	1.000	ST
24	5.324-015.0	Covering cap for pushbutton BV 5/1 Bp	1.000	ST
84	6.900-385.0	Crevice nozzle DN35	1.000	ST
9004	2.889-148.0	Elbow packaged antistatic NW35 2K	1.000	ST
26	5.363-619.0	Engine support above	1.000	ST
62	6.414-611.0	Filter 5 St.	1.000	ZSA
9503	6.904-425.0	Filter bag cloth	1.000	ST
83	6.904-335.0	Filter bags fleece 10 Stck Kärcher	1.000	ST
61	6.414-801.0	Filter HEPA	1.000	ST
67	9.412-452.0	Filter housing	1.000	ST
34	5.731-632.0	Filtering basket packaged	1.000	ST
61	6.414-917.0	Filter only for replacement	1.000	ST
9002	2.889-129.0	Floor tool packaged NW35	1.000	ST
90	9.411-061.0	Frame	1.000	ST
17	5.033-650.0	Grate exhaust opening gusty grey RAL 703	1.000	ST

5 Spare parts list BV 5/1 Bp (5.974-280.0)

POS	Article no.	Description	Quantity	Unit
111	7.311-001.0	Hexagon nut M4 -8-A2E ISO 4032	3.000	ST
112	7.311-002.0	Hexagon nut M5 -8-A2E ISO 4032	1.000	ST
58	5.031-306.0	Holder electronics	1.000	ST
47	5.044-881.0	Holder frame	4.000	ST
42	5.037-180.0	Hook yellow	1.000	ST
9003	2.889-132.0	Hose packaged NW35 1,5m	1.000	ST
120	5.605-048.0	Housing battery front	1.000	ST
121	5.605-049.0	Housing battery rear	1.000	ST
94	5.605-327.0	Housing electronics	1.000	ST
38	5.605-053.3	Housing front BV 5/1 Bp	1.000	ST
27	5.605-309.0	Housing motor above	1.000	ST
28	5.605-310.0	Housing motor bottom	1.000	ST
37	5.605-054.3	Housing rear BV 5/1 Bp	1.000	ST
29	4.605-071.0	Housing turbine complete	1.000	ST
70	6.286-528.0	Insulating mat motor	2.000	ST
16	5.034-103.0	Locking clip yellow BV 5/1 Bp	2.000	ST
31	5.343-022.0	Locking ring	1.000	ST
80	6.343-145.0	Lock washer 5	6.000	ST
9502	6.904-403.0	Paper filtering bag Basic 10 Stck.	1.000	ST
141	5.324-041.0	Remote control bottom part BV 5/1 Bp	1.000	ST
125	6.431-058.0	Rope rubber yellow	2.000	ST
108	7.303-205.0	Screw 4x16-St-10.9-R2R (In6Rd)	5.000	ST
102	7.303-084.0	Screw 4x25 -10.9-R2R (K-In6Rd)	22.000	ST
110	7.303-234.0	Screw 5x60 -10.9-A2K (K-In6Rd)	4.000	ST
23	4.071-019.0	Set box bottom	1.000	ST
9005	4.324-062.0	Set locking part accumulator	1.000	ST
9006	4.324-063.0	Set remote control top part	1.000	ST
115	6.645-664.0	Spring washer B 4	3.000	ST
116	7.313-002.0	Spring washer B 5-FSt-A3E DIN 127	1.000	ST
15	5.033-140.0	Suction connection	1.000	ST
143	6.630-827.0	Switch one-pole BV 5/1 Bp	1.000	ST
21	4.070-232.0	Tank for replacement BV 5/1 Bp	1.000	ST
9001	2.862-008.0	Telescopic tube packaged NW35	1.000	ST

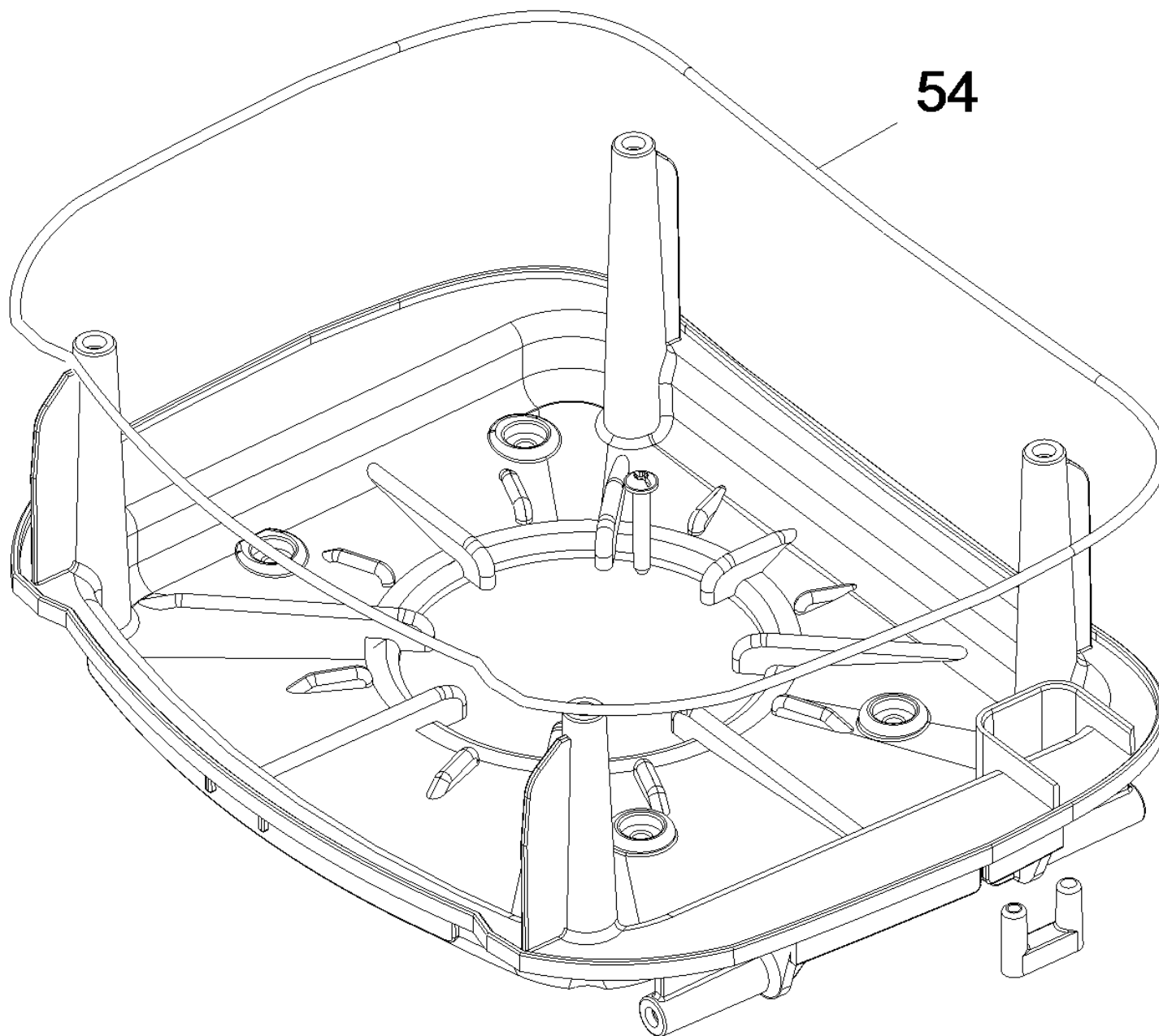
5 Spare parts list BV 5/1 Bp (5.974-280.0)

POS	Article no.	Description	Quantity	Unit
85	6.905-998.0	Upholstery nozzle complete NW35	1.000	ST
52	6.490-123.3	Vac motor 36V	1.000	ST



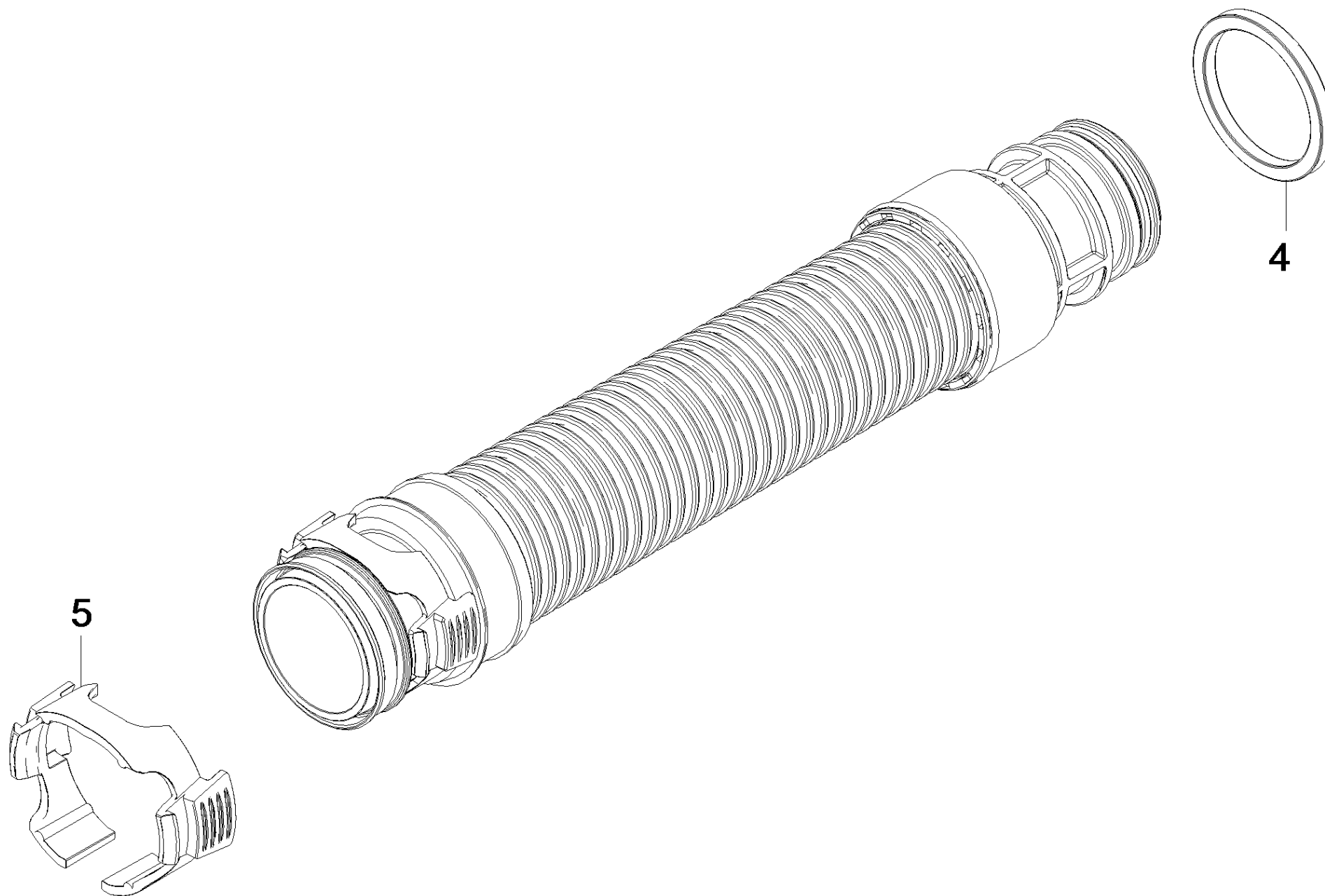
20 Cover complete (4.069-049.0)

POS	Article no.	Description	Quantity	Unit
2	6.273-266.0	Seal string cellular rubber D4	1.000	ST



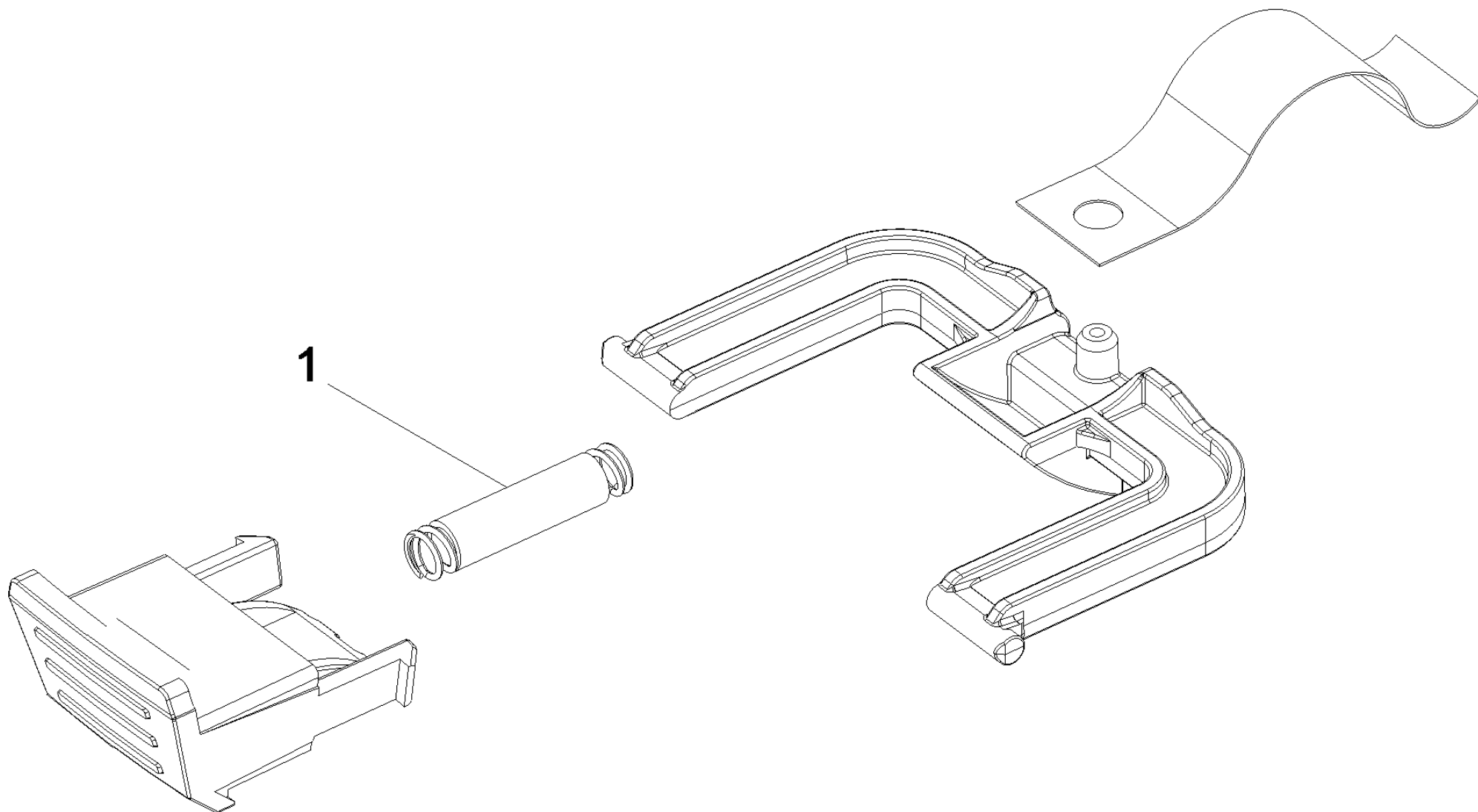
23 Set box bottom (4.071-019.0)

POS	Article no.	Description	Quantity	Unit
54	6.273-272.0	Seal string cellular rubber D2,5	1.000	ST



9003 Hose packaged NW35 1,5m (2.889-132.0)

POS	Article no.	Description	Quantity	Unit
4	5.363-255.0	Seal X-shaped	1.000	ST
5	5.031-140.0	Tension ring NW35	1.000	ST



9005 Set locking part accumulator (4.324-062.0)

POS	Article no.	Description	Quantity	Unit
1	6.907-577.0	Pressure spring D 5,25x27	1.000	ST